

**CLIMA
CONTROL**

HEATING – AIR CONDITIONING



KF WOOD BOILERS FOR HEATING AND HOT WATER

**INSTALLATION AND OPERATION
MANUAL**

Kiturami

Oil and natural gas Boilers



Kiturami

Thank you for selecting the KF Kiturami wood boiler.
Please read carefully the instruction manual for proper
installation of the boiler and keep it for future use.

CONTENTS

| | |
|-------------------------------------|------------|
| SAFETY WARNINGS | page 3 |
| DESCRIPTON OF KF BOILER | page 4 |
| INSTALLATION OF KF BOILER | page 5 |
| HYDRAULIC INSTALLATION OF KF BOILER | page 6 |
| CHIMNEY INSTALLATION | page 7 |
| KF BOILER CONTROL | page 8 |
| THERMOSTAT CTR - 6080 | page 9 |
| SAFETY OPERATIONS | page 9 |
| KF BOILER ELECTRICAL CONNECTION | page 10 |
| KF BOILER IGNITION | page 10 |
| CIRCULATOR & AIRVENT | |
| OPERATION | page 11 |
| GENERAL WARNINGS | page 12-13 |
| MAINTENANCE | page 14 |
| DAMAGES, DETECTION AND SOLUTIONS | page 14 |
| TECHNICAL SPECIFICATIONS | page 15 |

SAFETY WARNINGS

It indicates points to remember with symbols in order to make the use of the boiler easier. In this way you can see and avoid accidents.

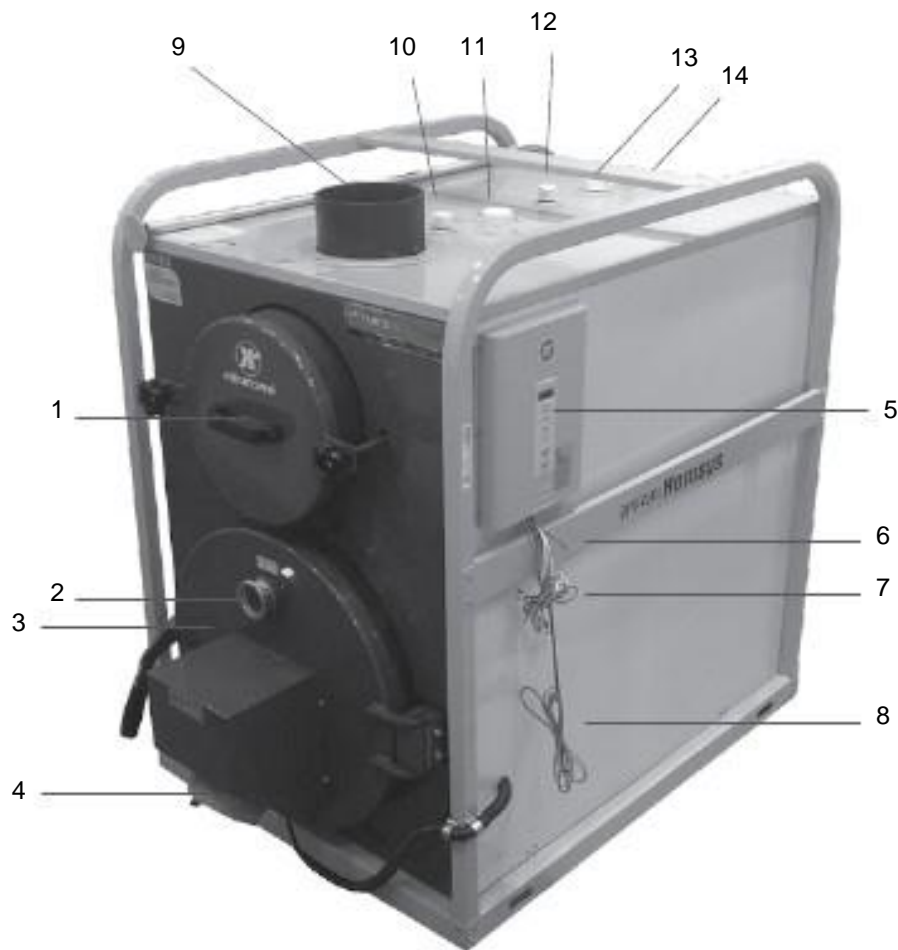
Because your safety and the safety of others is very important, please look at the symbols below carefully and understand them absolutely before proceeding to read the manual.

Each symbol has following meaning:



Attention

- Protect the boiler from snow and rain. Ensure that it is installed in a covered area for better and safer operation.
- Do not leave in front of and around the boiler flammable materials.
- In winter, even if you are away from home, do not disconnect the boiler from the mains.



1. Boiler cleaning locker
2. Door for checking the flame
3. Wood supplying door
4. Setting the input of air
5. Boiler control
6. Power supply
7. Red and white: thermostat connection
8. Green wires: circulator connection
9. Chimney
10. Cold domestic water inlet
11. Output of water to radiators
12. Hot domestic water outlet
13. Discharge to open expansion tank
14. Safety valve

KF BOILER INSTALLATION

The boiler must be placed in an area with sufficient comfort – spaciousness so you can control it and maintain it easily.

How to place the boiler:

- Place it on unburned - non-combustible materials, such as concrete which can withstand much weight.
- Never put the boiler in a small, enclosed space without ventilation or a very humid space. This will cause incomplete combustion because of oxygen deficiency.
- Do not install the boiler in unprotected, open space.
- Connect the plug of the boiler to the mains using a socket only for it.

Attention

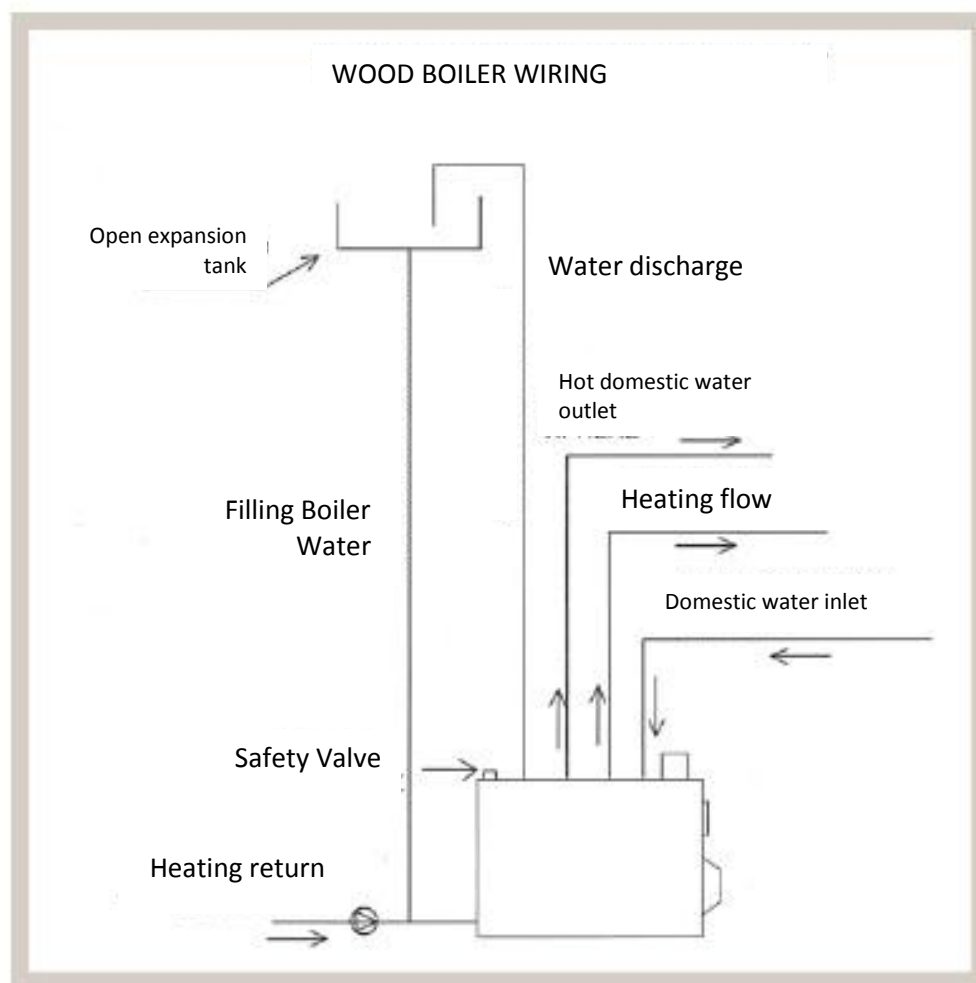
The installation should be performed by qualified technicians and in accordance with the instructions.

HYDRAULIC INSTALLATION OF KF BOILER

Install the KF KITURAMI wood boiler according to the following drawing:

Place the open expansion tank at least 1 meter above the rest Plumber Heating.

The diameter of the discharge and filling pipe shall be at least $\Phi 22$.



Place an expansion tank and a safety valve in the hydraulic domestic water installation.

Before connecting the domestic water to the boiler measure the pressure of the water supply network. Then adjust the expansion water tank at the same bar and insert a corresponding safety valve. E.g. we assume the water is 4 bars. Then select a valve of 6 bars and adjust the expansion tank at 4 bars.

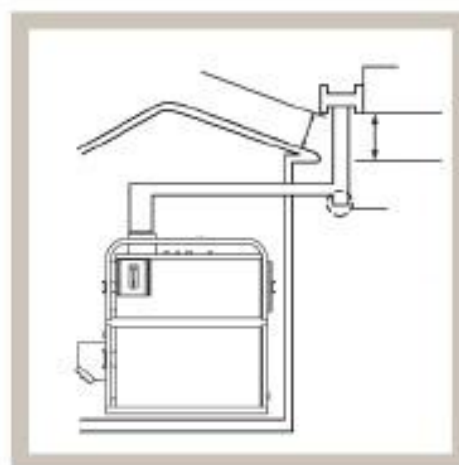
CHIMNEY INSTALLATION

The installation of the chimney to the wood boiler plays important role and should be done very carefully.

Place the chimney according to the following drawings:

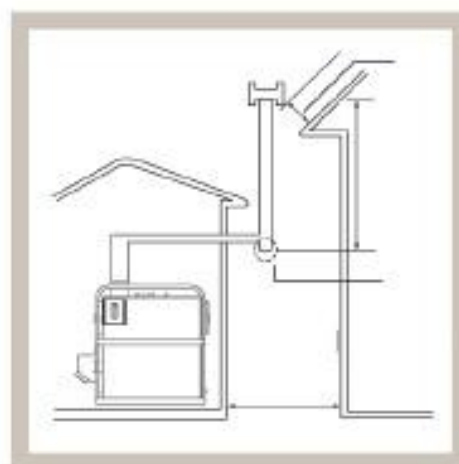
Connect the horizontal and vertical part of the chimney with a cleaning T.

The vertical part of the chimney, should be at least 3m.

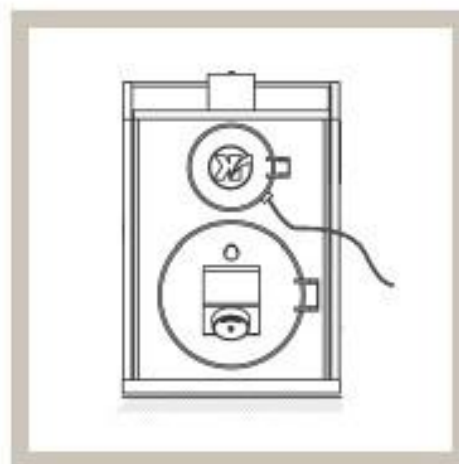


When neighboring buildings are at 1m distance from the chimney, install chimney in such a way that it will be 1m or more higher than the highest roof.

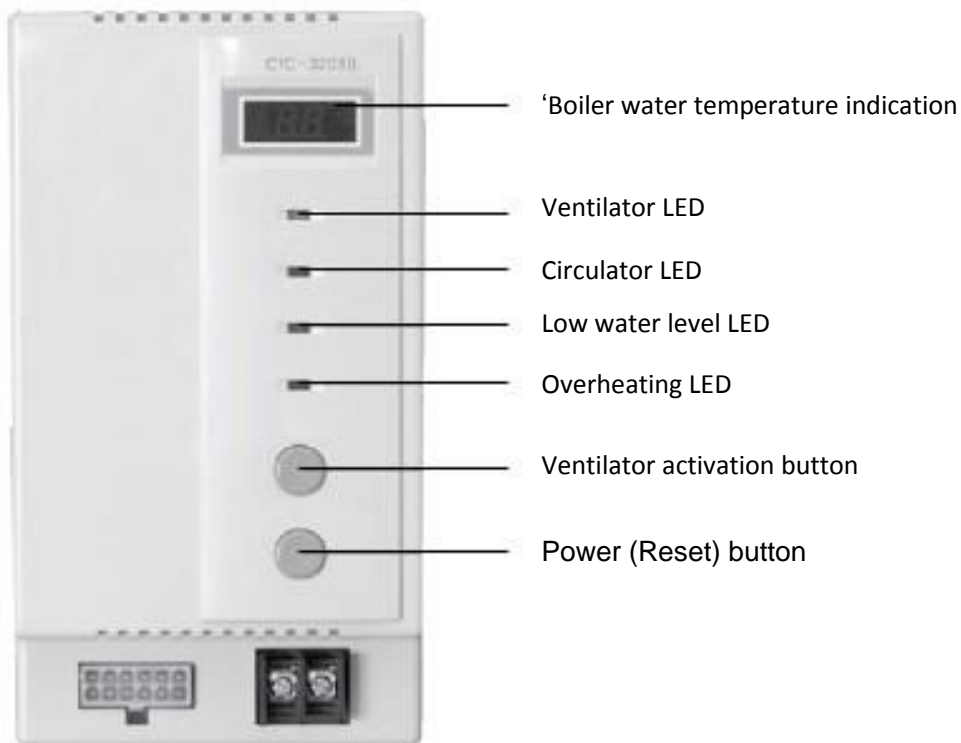
If not properly installed the chimney, there will be reduced performance, soot and operational problems will occur.



Connect drain tube of the boiler.

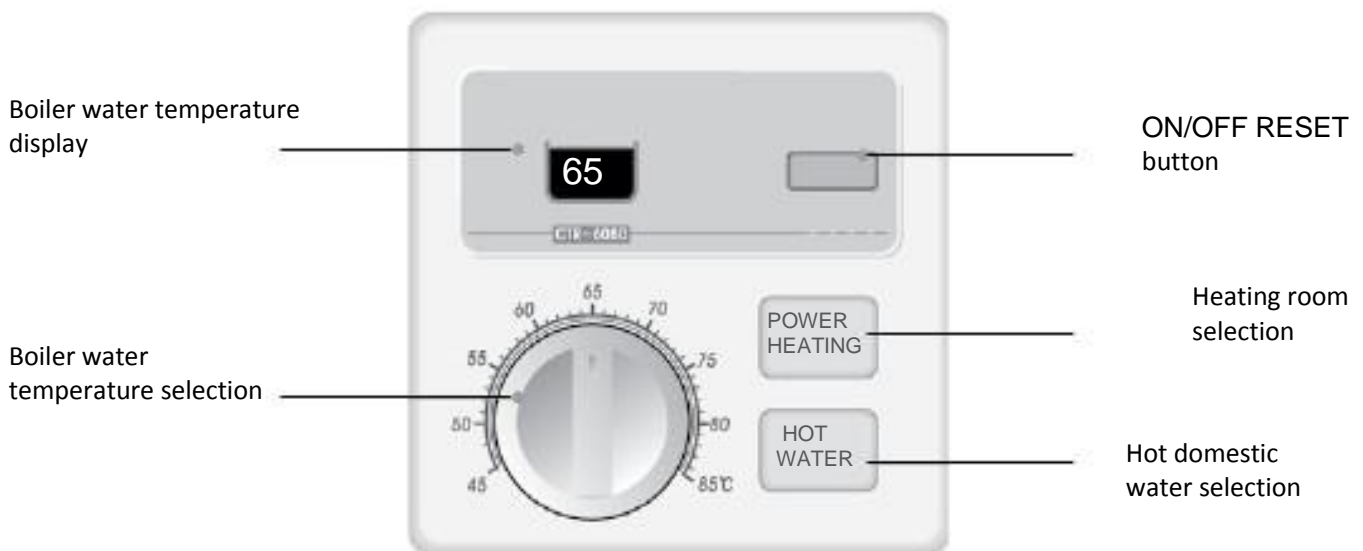


KF - 3203 B BOILER CONTROL



| | |
|-------------------------------------|--|
| Boiler water temperature indication | Shows the water temperature in the boiler and displays trouble codes in case of problems. |
| Ventilator operation LED | During the operation of the ventilator the LED remains open. (it is turned off automatically when the temperature drops below 40°C). |
| Circulator operation LED | During the operation of the pump, The LED remains on. |
| Low water level LED | The LED lights in the absence of water in the boiler and is deactivated the circulator. The circulation pump resumes when the boiler is filled with water. |
| Overheating LED | In case of overheating, the LED turns on. |
| Ventilator activation button | We press the button when we kindle the wood in the boiler and the water temperature is below 40°C. |
| Power (Reset) | Starting the boiler or restarting after failure. |

THERMOSTAT (CTR-6080)



Boiler Water Temperature Display - Displays the water temperature in the boiler with numbers. Also displays Trouble Codes in case of malfunction.

Boiler Water Temperature Selection – Select the desired temperature from 45°C to ~85°C.

ON/OFF (Reset) Button - Activates or deactivates the boiler. Also restarts the boiler in case of blocking. (When the boiler is not operating, the thermostat must be closed).

Room Heating Selection - With this option, the boiler works to warm the space.

Hot Domestic Water Selection - The circulation pump stops working and plenty of hot water is available. To have heating again, you should select the heating room mode.

Safety operations

Anti-freezing protection mode – The circulation pump is activated automatically when the water temperature drops below 8° C to avoid the formation of ice on the heating network. It automatically returns to normal operation when the temperature rises to 9° C.

Low water level mode - After filling water in the boiler, the pump will operate for 2 minutes continually to help the air outcome from the water heating system.

Nonstick protection of the circulation pump mode – It activates the circulation pump, when we have selected the hot water mode and the water temperature is below 40°C.

KF BOILER ELECTRICAL CONNECTION

- Connect the circulator with the green wires to the boilers.
- Connect the thermostat with the red (+) & white (-) wire to the boiler.
- Insert the plug to the mains.

KF BOILER IGNITION

- During the first ignition let air damper with an open door.
- Press the POWER button on the boiler control.
- Activate the room thermostat with the ON / OFF button.
- Select the desired water temperature and press the room heating mode selection.
- Place wood in the combustion chamber and kindle the fire.
- Press the button for activating the ventilator.

Instructions for regulating the wood burning

Original factory setting: 1 door open

After the boiler is heated, open or close the air damper as the wood boiler works. Close the damper if the wood is burned quickly or open it if the wood is not burned good. Use the settings as in the following illustrations.



3 doors open
(all)



2 doors open



1 door open



closed

Μην αγγίζετε την καμινάδα κατά τη λειτουργία του λέβητα.

CIRCULATOR & AIR VENT OPERATION

| Water temperature selection in °C | Air Vent | | Circulator | |
|-----------------------------------|----------|-----|------------|-----|
| | ON | OFF | ON | OFF |
| 45 | 45 | 50 | 48 | 43 |
| 55 | 48 | 55 | 50 | 45 |
| 65 | 56 | 65 | 58 | 46 |
| 75 | 64 | 75 | 67 | 53 |
| 85 | 64 | 75 | 74 | 55 |

GENERAL WARNINGS

Use an outlet only for the plug of the boiler.
Attention to any electrical leakage!

The supplied current should be 230V/60Hz. Ensure the current voltage.

Do not clean the boiler with water.

Do not store flammable materials near the boiler.

- There is risk of fire. Make sure that there is a fire extinguisher in the boiler room.
- In case of damage please contact the service department or your supplier.

Do not touch the chimney during the boiler operation.

- It may cause burns.

Antifreeze protection.

- The antifreeze protection prevents ice forming in the boiler and pipework.
To operate the antifreeze protection, make sure that the boiler is connected with current.
- When you are away from home for some time, let the kitchen tap dripping.
- The antifreeze protection does not work if a power failure occurs or if the plug is not connected to the mains.

GENERAL WARNINGS

Is proposed inspection and maintenance of the boiler once a year by qualified personnel.

Close manually the air damper if an interruption power occurs and there is wood burning in the boiler.

Do not put a lot of wood at once.

Placing a lot of wood there is a risk of overheating and the risk of possible burns caused by hot water or steam.

Always close the door after you put the supplying wood.

Always close the supplying door and clean the residual ash because otherwise there is a risk of fire.

Be careful when opening or closing the supplying door because there is a risk of burns.

Install the boiler at a place that allows you easy cleaning.

Use dry wood.

The wet wood during combustion leaves residues like resin making necessary the very frequent maintenance of the boiler.

If using wet wood you must clean the boiler very often.

MAINTENANCE

- Ensure that the boiler is cold during its maintenance.
- Clean the boiler mound of with a brush.
- Pick up with a broom the soot from the chamber and the cleaning door.

For greater money saving clean the boiler frequently.

DAMAGES – DETECTION AND SOLUTIONS

In case that any damage occurs to the boiler, the thermostat will display one of the following codes:

04

Is disconnected the temperature sensor or is damaged.

05

There is a high temperature in the boiler water. The function of the ventilator stops while the circulation pump continues to run.
Close the air damper.

95

&

Low
Water

There is a lack of water. Fill water into the open expansion tank.
When the boiler is filled with water, the circulation pump will automatically start functioning and will work for two minutes for easier air extraction from the water in the heating system.
The circulation pump will not work if is selected the hot domestic water mode.

If there is no voltage

Check the plug. Check the outlet in which you inserted the plug.

There is electricity, but the ventilator and the circulator do not operate.

Check their connections.

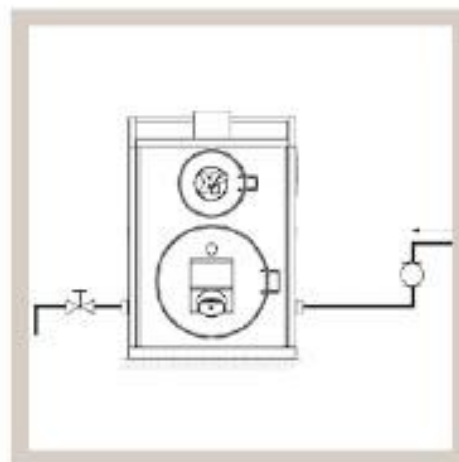
The boiler is hot but the area and the radiators are cold

Check the piping network for the existence of air and if any, remove it from the radiators by evaporation.

Check if the circulation pump operates.

Keep the chimney clean for the normal operation of the boiler.

Use a circulation pump proportional to the boiler dynamics and the installation requirements.
Install a water drain valve in the installation.



TECHNICAL SPECIFICATIONS

| TYPE | KF 35 | KF 60 |
|--|---|---------------|
| FUEL | WOOD | |
| POWER (KW) | 40,7 | 69,8 |
| HEATING PERFORMANCE (KW) | 23,2-34,9 | 34,9-45,5 |
| COMBUSTION TYPE | FORCED COMBUSTION | |
| ABILITY TO CONSUME WOOD (Kgr/h) | 8,1 | 10,5 |
| RECOMMENDED INSTALLATION TYPE | OPEN EXPANSION TANK | |
| MAXIMUM PERFORMANCE IN HEATING (%) | 75 | |
| MAXIMUM PERFORMANCE IN HOT WATER (%) | 75 | |
| PERFORMANCE IN HOT WATER (KW) | 23,2 - 34,9 | 34,9-45,5 |
| HEATING SUPPLY SECTIONS | 32A | |
| HOT WATER SUPPLY SECTIONS | 20A | |
| DISCHARGING SECTION | 20A | |
| CHIMNEY DIAMETER (Ø) | 150 | |
| DIMMENSIONS WIDTH – LENGTH - HEIGHT | 700*1000*1050 | 870*1325*1390 |
| WEIGTH (Kgr) | 250 | 330 |
| SAFETY OPERATIONS | <ul style="list-style-type: none"> • OVERHEATING • LOW WATER LEVEL • ANTIFREEZE PROTECTION | |
| Exhaust gases outlet temperature: less than 300 ° C. | | |
| The external shape and dimensions can be changed without prior notice. | | |

CLIMA
CONTROL

CLIMA CONTROL

HEATING – AIR CONDITIONING

Exclusive Representation

Collateral of Egnatia Road P.O. Box 1200 P.C. 57 008 Diavata
Interchange, Thessaloniki

Tel.: 2310 574 920, 2310 574 803 • Fax.: 2310 574 893

e-mail: info@climacontrol.gr • www.climacontrol.gr